



## Engineering

Wayne Goodwin, Commissioner of Insurance  
Rick McIntyre, Assistant State Fire Marshal

May 5, 2016

Dale Dawson, Executive Director  
State Board of Examiners of PHFS  
1109 Dresser Court  
Raleigh, NC 27609

**RE: 2012 NC Plumbing Code  
Section 715, Backwater Valves**

Mr. Dawson:

This letter is in response your request for formal interpretation dated 4/29/2016. I have also reviewed your e-mail to Bill Moeller requesting the same.

The specific question raised in the request letter and e-mail is:

*Can a "sewer popper" be installed in lieu of the installation of a backwater valve on building sewer or building drain lines subjected to back flow?*

The "sewer popper" is not a substitute for a Backwater Valve. It is not described in the Plumbing Code and therefore, at best, would be an alternate method to the Plumbing Code provisions (to be reviewed and approved by the local CEO). All sewage is required by the Plumbing Code to go into the building drain and sewer and, for public health reasons, cannot be dumped on the ground or in the building.

Sincerely,

Barry Gupton, PE  
Chief Code Consultant

cc: File  
William Eubanks, Wilmington  
Thomas Proffit, Lenoir  
Bill Moeller, NCDOI

## BOARD MEMBERS

T. G. PROFFIT Chairman  
J. R. DUNN Vice Chairman  
J. N. ROYAL Secretary/Treasurer  
W. H. EUBANKS Immediate Past Chairman  
D. H. EDWARDS, JR.  
R. J. OWENS  
W. H. SULLIVAN III Board Member Emeritus



## BOARD OFFICE

1109 Dresser Ct., Raleigh, NC 27609  
Phone: 919-875-3612 /  
Fax: 919-875-3616  
E-Mail: [information@nclicensing.org](mailto:information@nclicensing.org)  
Website: [www.nclicensing.org](http://www.nclicensing.org)

D. L. DAWSON Executive Director

# State Board of Examiners of Plumbing, Heating & Fire Sprinkler Contractors

April 29, 2016

Bill Moeller  
Chief Plumbing Code Consultant  
NC Department of Insurance  
322 Chapanoke Rd., Suite 200  
Raleigh, NC 27603

RE: NC Plumbing Code Section 715

Mr. Moeller:

I am requesting a formal interpretation in reference to if the installation of a "sewer popper" device (Manufactures by Jones Stephens Corp. or similar device, see the attached information) is legal per the North Carolina State Plumbing Code in areas subject to back flow where NC Plumbing Code section 715 would require a backwater valve to be installed. Here is my question:

Can a "sewer popper" be installed in lieu of the installation of a backwater valve on building sewer or building drain lines subjected to back flow?

These sewer poppers allow the sewage to be dispersed onto the ground, which I am confident does not meet the NC Plumbing Code and I believe NCDENR would have a big problem with sewage being dispersed onto the ground. It is my opinion that this is a significant public health safety concern.

Thank you in advance.

Sincerely,

  
Dale Dawson  
Executive Director

# SEWER POPPER™

## CLEANOUT AND RELIEF VALVE

### FEATURES & BENEFITS

WHY YOU SHOULD CHOOSE SEWER POPPER™

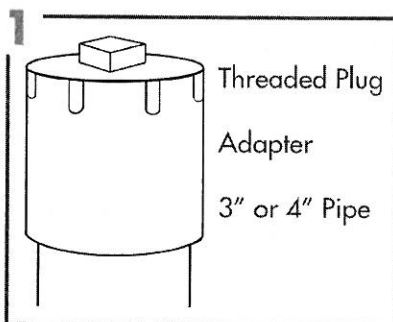


- Automatic pop-up releases sewage overflow outside the house
- Prevents thousands of dollars in property damages
- Eliminates health hazards associated with sewage overflow
- Vandal and tamper-resistant center
- Threaded for 3" or 4" pipe or tapped together
- Constructed of white PVC
- Threaded unit can be used with PVC or ABS tapped together
- For cast iron pipe, use standard no hub clamp
- Meets Southern Building Code Section 301.10, Principle No.10
- Patent No. 5,209,257

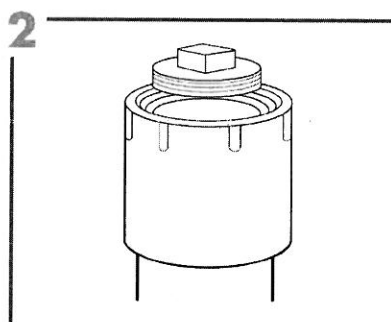
PART NO.	DESCRIPTION	CTN QTY
S62304	3" x 4" Sewer Popper™	6

### 3 SIMPLE STEPS

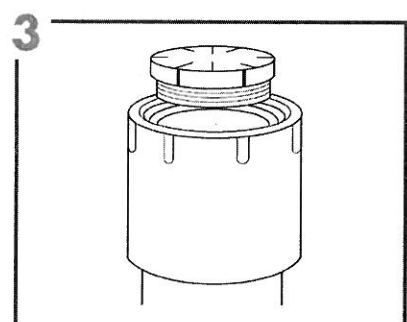
INSTALLATION OF SEWER POPPER™



Locate the outdoor main sewer cleanout nearest the structure.



Remove the existing threaded plug.



Hand tighten the Sewer Popper in place of the plug.

00725-01



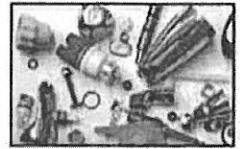
**JSC South**  
3249 Moody Parkway  
Moody, AL 35004  
Phone 800-355-6637  
Fax 800-462-6991

**JSC North**  
50 Keystone Blvd. East  
Pottsville, PA 17901  
Phone 800-325-8999  
Fax 866-922-0076



search by brand

Acorn



keyword search

[About Us](#)

[Contact Us](#)

[Privacy, Policies, & Returns](#)

[Review Shopping Cart](#)

[Home Page](#)

**Shop by Category**

- Air and Water Filtration
- Antique Brass Items
- Backflow Preventer Items
- Bath Accessories
- Bathroom Faucets
- Bathroom Sinks
- Bathtub Drains
- Books
- Claw Foot Accessories
- Claw Foot Tub Faucets
- Clearance Items
- Faucet Parts A through B
- Faucet Parts C through E
- Faucet Parts F through H
- Faucet Parts I through K
- Faucet Parts L through O
- Faucet Parts P through R
- Faucet Parts S through T
- Faucet Parts U through Z
- Floor Drain Covers
- Foot Valves
- Garbage Disposal
- Just For Kids
- Kitchen Accessories
- Kitchen Faucets
- Laundry Faucets
- Light Bulbs
- Mobile Homes/RVs/Boats
- Mop Sink Faucets
- Night Lights
- Orifice Unions
- Outdoor Faucets
- Pipe And Fittings
- Plumbers Kits
- Polished Brass Items
- Pressure Reducing
- Pumps
- Safety And Security
- Sewer and Septic Systems
- Shower Heads
- Sink Drains
- Toilet Parts
- Toilet Parts
- Toilet Seats
- Toilets
- Tools
- Tub Spouts
- Upcharge Shipping Rates
- Urinals And Urinal Parts
- Water Controls
- Water Fountain
- Water Heater Parts
- Woodford Faucet Store
- Yard Hydrants

**Septic System Items >>> JON-S62-304**

**Jones Stephens S62-304 Sewer Popper**

**SEWER POPPER™  
CLEANOUT AND RELIEF VALVE**

**features and benefits:**

- Automatic pop-up releases sewage overflow outside the house
- Prevents thousands of dollars in property damages
- Eliminates health hazards associated with sewage overflow
- Vandal- and tamper-resistant center
- Threaded for 3" or 4" pipe or tapped adapter
- Constructed of white PVC
- Threaded unit can be used with PVC or ABS tapped adapter
- For cast iron pipe, use standard no hub clamp
- Meets Southern Building Code Section 301.10, Principle No. 10
- Patent No. 5,209,257
- Meets ASTM Standard D-2665

Regular Price: \$20.96

Usually Ships Out In 2-3 Business Days

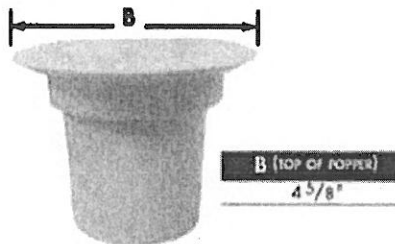
Item Code: JON-S62-304

Order Qty:

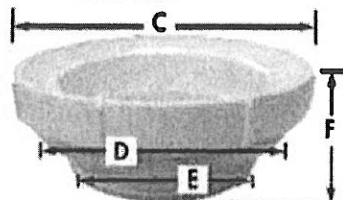
[www.LockePlumbing.com](http://www.LockePlumbing.com)



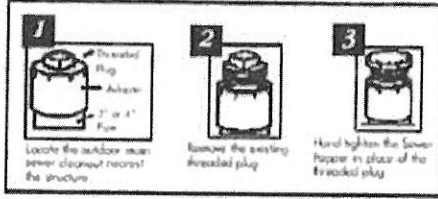
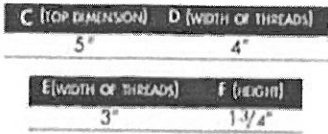
**A (OVERALL HEIGHT)**  
3 1/2"



**B (TOP OF POPPER)**  
4 5/8"



[Click for Review](#)



[ zoom ]

**Visit Our Green Store  
For Water & Energy  
Savings [Click Here](#)**

Replaces sewer cleanout cap and pops out when there is a backup to keep sewage out of the house.

To repair any American Standard Toilet Use the [Locke Plumbing American Standard Toilet Parts Guide](#)

**[Click Here To Add Our Homepage To Your Favorites!](#)**

**Best Sellers**

Not finding what you are looking for? [Click here.](#)

Join the Locke Plumbing E-mail List

[Unsubscribe](#)

Copyright © 2005, Locke Plumbing. All Rights Reserved. Direct inquiries to [plumbinfo@aol.com](mailto:plumbinfo@aol.com)

This site designed and maintained by [AIMS Computer Systems](#) 