

**NC Department of Insurance
Office of the State Fire Marshal - Engineering Division
1202 Mail Service Center, Raleigh, NC 27699-1202
919-647-0000**

King Studs at a Wall Openings

Code: 2012 NC Residential Code

Date: Feb. 26, 2018

Section: Tables R602.3(5) and R602.3.1

Question:

What does footnote “d” of tables R602.3(5) and R602.3.1 mean?

d. One half of the studs interrupted by a wall opening shall be placed immediately outside the jack studs on each side of the opening as king studs to resist wind loads. King studs shall extend full height from sole plate to top plate of the wall.

Answer:

The total number of king studs shall be one half the number of studs cut by the framed opening unless a design professional has specified the location of each stud within a given wall. The span lengths of the framed openings are limited to the girder and header spans of tables R502.5(1) and R502.5(2) for the girder and header size. The king studs are to be connected as required by Table R602.3.1 Wall Framing for Double Studs. Footnote “b” of Table R602.3(1) Wall Framing would apply to multiple studs. See the illustrations below.

Keywords:

Window, door, wall, framing

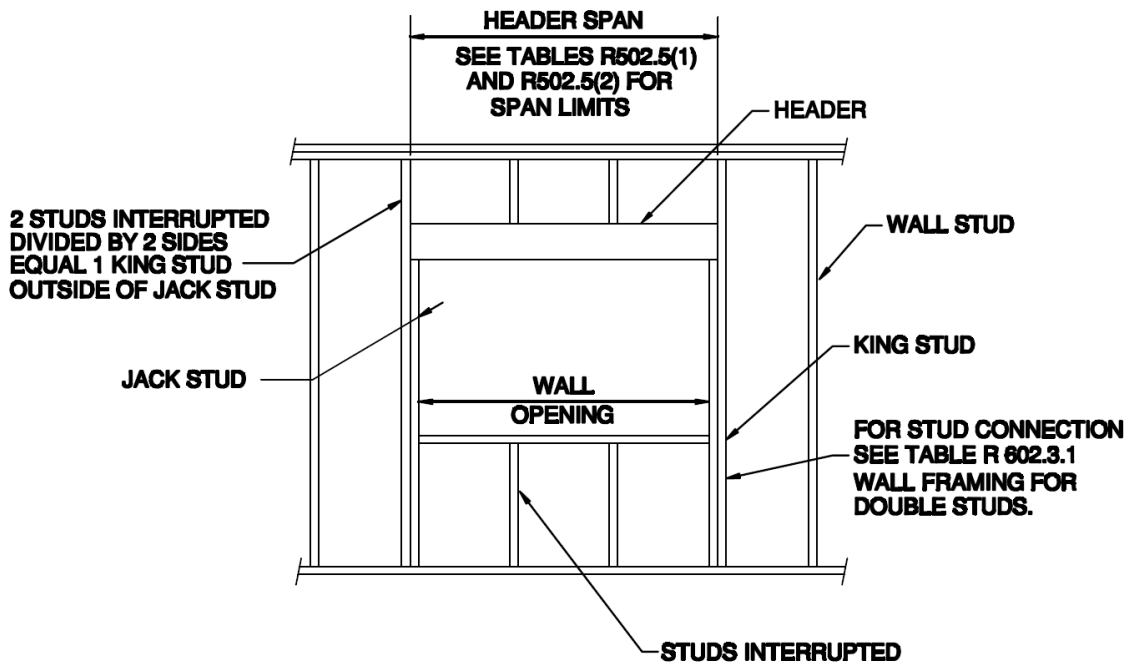


Illustration 1-For placement of king studs only.

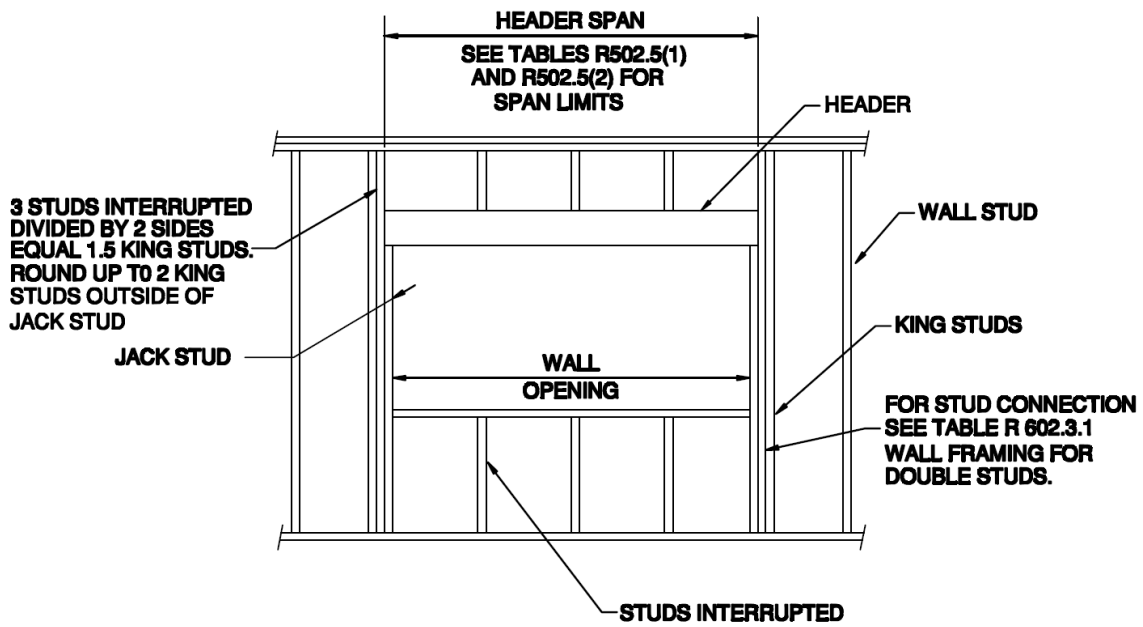


Illustration 2-For placement of king studs only.

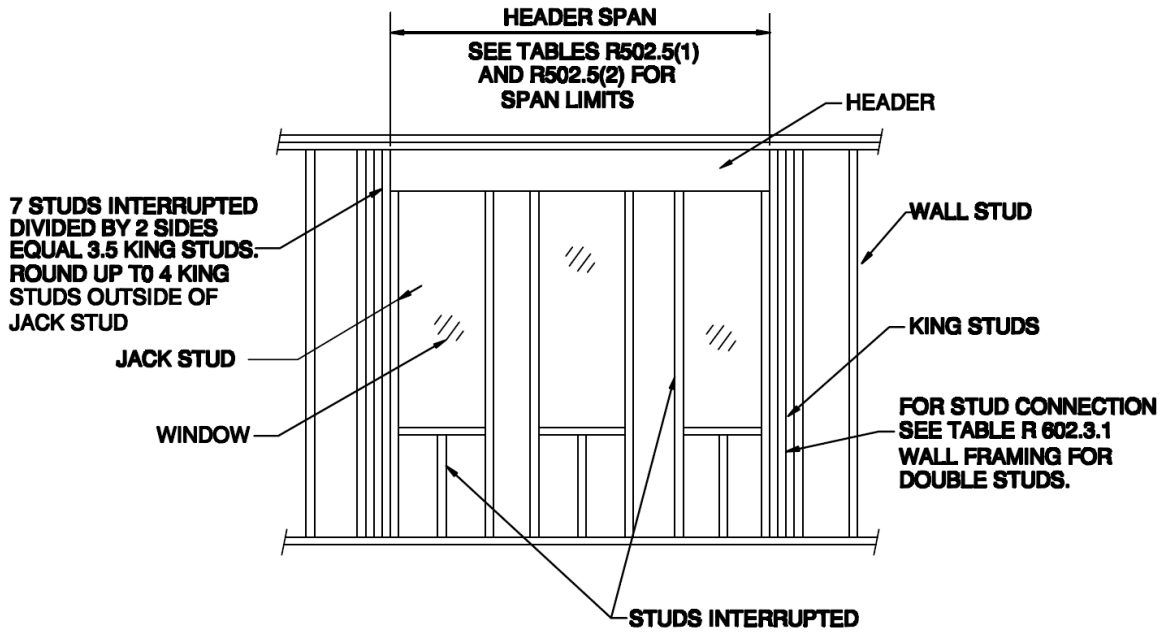


Illustration 3-For placement of king studs only.